

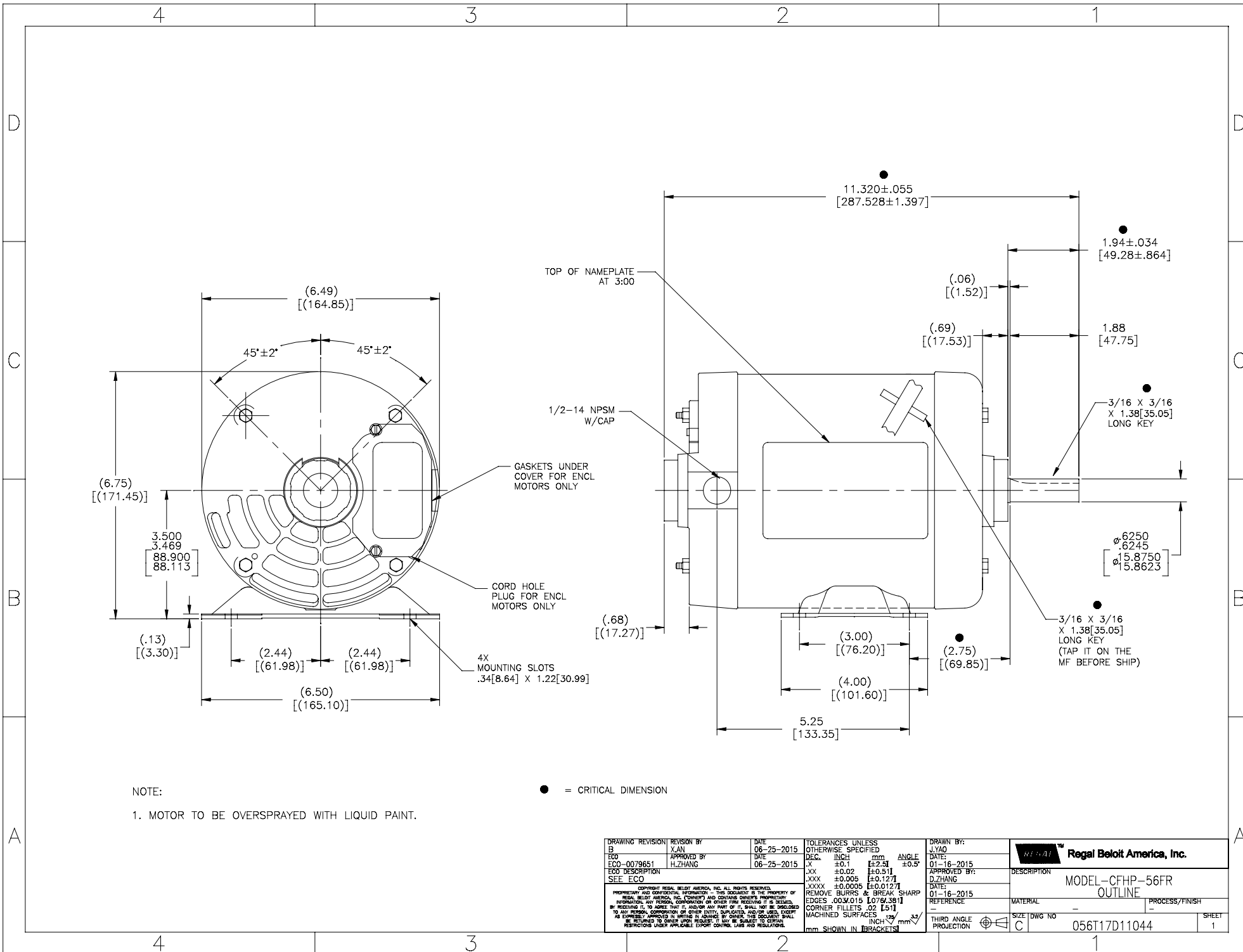
Nameplate Specifications

Output HP	0.50 Hp	Output KW	0.37 kW
Frequency	60 Hz	Voltage	208 V
Current	1.7 A	Speed	1725 rpm
Service Factor	1.25	Phase	3
Efficiency	82 %	Power Factor	75
Duty	Continuous	Insulation Class	B
Design Code	B	KVA Code	K
Frame	56	Enclosure	Drip Proof
Thermal Protection	No	Ambient Temperature	40 °C
Drive End Bearing Size	6203	Opp Drive End Bearing Size	6203
UL	Recognized	CSA	Y
CE	Y	IP Code	22

Technical Specifications

Electrical Type	Squirrel Cage Induction Run	Starting Method	Across The Line
Poles	4	Rotation	Reversible
Resistance Main	0 Ohms	Mounting	Rigid Base
Motor Orientation	Horizontal	Drive End Bearing	Ball
Opp Drive End Bearing	Ball	Frame Material	Rolled Steel
Shaft Type	T	Overall Length	11.31 in
Shaft Diameter	0.625 in	Shaft Extension	1.88 in
Assembly/Box Mounting	F1 OUT ODE BRKT RADIAL		
Connection Drawing	D0000569-001	Outline Drawing	056T17D11044-S01

This is an uncontrolled document once printed or downloaded and is subject to change without notice. Date Created:14/12/2020

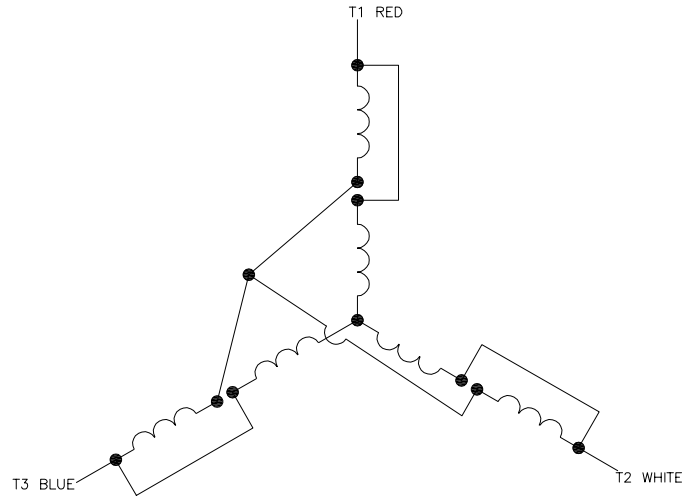


NOTE:

1. MOTOR TO BE OVERSPRAYED WITH LIQUID PAINT.

● = CRITICAL DIMENSION

DRAWING REVISION		REVISION BY	DATE	TOLERANCES UNLESS OTHERWISE SPECIFIED		DRAWN BY:	
B		XIAN	06-25-2015	DEC.	INCH	J.YAO	
ECO		APPROVED BY	DATE	XXX	±0.1	DATE:	01-18-2015
ECO-0079651		H.ZHANG	06-25-2015	JXX	±0.02	APPROVED BY:	D.ZHANG
SEE ECO				JXXX	±0.005	DATE:	01-18-2015
<small> COPYRIGHT REGAL BELOIT AMERICA, INC. ALL RIGHTS RESERVED. PROPRIETARY AND CONFIDENTIAL INFORMATION - THIS DOCUMENT IS THE PROPERTY OF REGAL BELOIT AMERICA, INC. (CONCEPT) AND CONTAINS OWNERS PROPRIETARY INFORMATION. ANY REPRODUCTION, COPIATION OR OTHER USE WITHOUT PERMISSION BY REGAL BELOIT AMERICA, INC. IS STRICTLY PROHIBITED. REGAL BELOIT AMERICA, INC. SHALL NOT BE RESPONSIBLE FOR ANY REPRODUCTION, COPIATION OR OTHER USE WITHOUT PERMISSION. REGAL BELOIT AMERICA, INC. SHALL NOT BE RESPONSIBLE FOR ANY REPRODUCTION, COPIATION OR OTHER USE WITHOUT PERMISSION. REGAL BELOIT AMERICA, INC. SHALL NOT BE RESPONSIBLE FOR ANY REPRODUCTION, COPIATION OR OTHER USE WITHOUT PERMISSION. </small>				REMOVE BURRS & BREAK SHARP EDGES .003/015 [076/381] CORNER FILLETS .02 [51] MACHINED SURFACES		REFERENCE	MATERIAL
				INCH mm mm SHOWN IN BRACKETS		THIRD ANGLE PROJECTION	PROCESS/FINISH
						SIZE DWG NO	056T17D11044
						SHEET	1



CONNECT AS FOLLOWS

LOW VOLTAGE

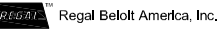
- T1 - RED - LINE A
- T2 - WHITE - LINE B
- T3 - BLUE - LINE C

CCW ROTATION; TO REVERSE ROTATION
FOR EITHER VOLTAGE INTERCHANGE ANY
TWO LINE LEADS

NOTES:

1. LEADS MAY BE MULTICOLORED AS SHOWN FOR GROUP -01 OR SINGLE COLOR FOR GROUP -02. IN EITHER CASE THE NUMBERING SEQUENCE WILL BE THE SAME.

DRAWING REVISION: A	REVISION BY: J.YAO	DATE: 01-16-2015	TOLERANCES UNLESS OTHERWISE SPECIFIED	DRAWN BY: J.YAO
ECO: ECO-0069274	APPROVED BY: D.ZHANG	DATE: 01-16-2015	VEL: INCH mm ANGLE	DATE: 01-16-2015
ECO DESCRIPTION: NEW MODEL RELEASE			X ±0.1	APPROVED BY: D.ZHANG
<small> COPYRIGHT REGAL BELLOTT AMERICA, INC. ALL RIGHTS RESERVED. PROPRIETARY AND CONFIDENTIAL INFORMATION - THIS DOCUMENT IS THE PROPERTY OF REGAL BELLOTT AMERICA, INC. COMPANY AND COMPANY OWNER'S PROPRIETARY AND CONFIDENTIAL INFORMATION. ANY REPRODUCTION OR OTHER USE WITHOUT THE WRITTEN PERMISSION OF REGAL BELLOTT AMERICA, INC. IS STRICTLY PROHIBITED. THIS DOCUMENT SHALL BE RETURNED TO ORDER LINES REQUEST IF ANY BE SUBJECT TO CERTAIN RESTRICTIONS WHICH APPLICABLE EXPORT CONTROL LAWS AND REGULATIONS. </small>			XX ±0.02 (+0.51) XXX ±0.005 (+0.127) XXXX ±0.0005 (+0.0127) REMOVE BURRS & BREAK SHARP EDGES: 0.03±0.015 (0.76±0.381) CORNER FILLETS: 02 (.51) MACHINED SURFACES: INCH mm 32 min SHOWN IN [BRACKETS]:	DATE: 01-16-2015 REFERENCE: - MATERIAL: - PROCESS/FINISH: - SIZE DWG NO: C D0000569-001 SHEET: 1



CONN DIAGRAM-EXTERNAL

SIZE DWG NO: C D0000569-001